



THE ABSOLUTE BEST SOLUTION FOR HEIGHT ADJUSTABILITY

Featuring high quality, European engineering and design, the Workrite Sierra HX is the foundation for the most innovative adjustable height workcenter for today's professional workplace.

Sierra HX meets BIFMA G1-2013 height adjustability requirements, can handle payloads of 225-300 pounds, and features hidden crossbar design that provides greater knee clearance for the user.

Sierra HX is available in three finishes with the widest range of size configurations and feature options, making it the most versatile workcenter in the Workrite portfolio.



Select the Standard Switch for simple up/down control.



Select the Programmable Switch for a digital readout, preset heights, and much more.

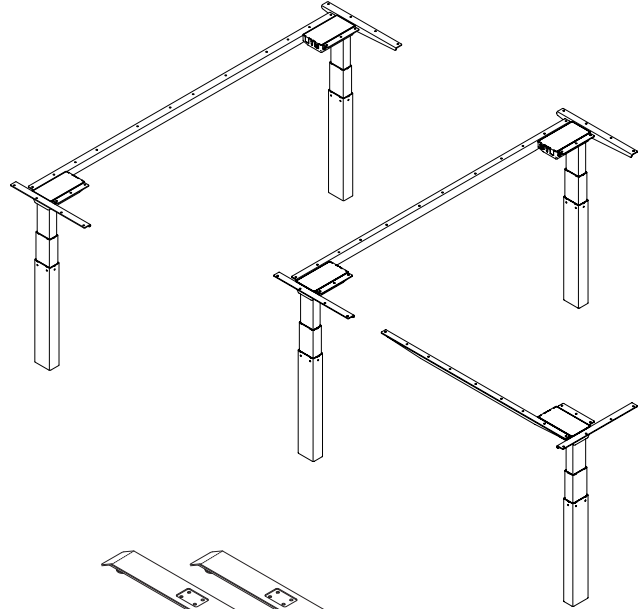
SIERRA HX™ ELECTRIC FRAME SET

Sierra HX Electric Frame Set

All Frame Sets include: legs, brackets, motor(s) and cables.

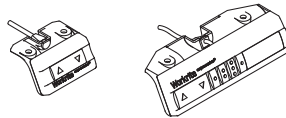
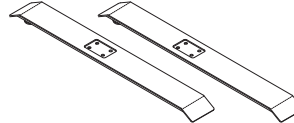
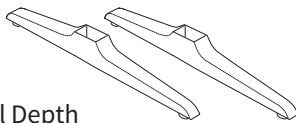
Specifications

- Frame options: 2-leg and 3-leg frames
- 24" or 30" depths
- Widths from 34" to 84" depending on shape
- Finish options: Silver, Charcoal, and White
- Height Range: 22.5" to 48.7"
- Payload Capacity: 225 pounds for 2-leg models
300 pounds for 3-leg models
- Travel Speed: 1.6 inches per second
- Max Power Draw: 120 V, 60 Hz, 2.9 A (2-leg) 5 A (3-leg)
- Standby Power: 0.1 W

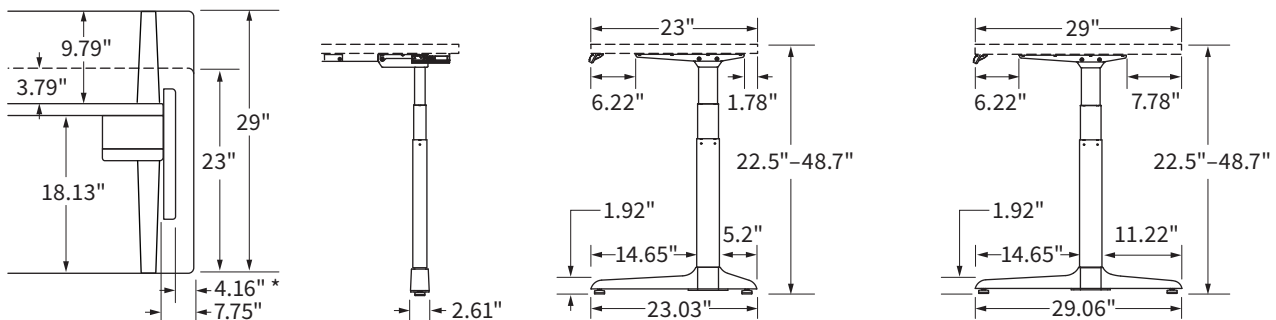


Options sold separately

- Foot Options: 24" or 30" Styled Foot Set
24" or 30" Flat Foot Set
24" & 30" Foot Sets for Dual Depth
- Control Options: Standard Switch
Programmable Switch
- Laminated Worksurfaces: Any laminate and edge treatment in the Workrite program
- Workrite frame sets can also be used with existing worksurfaces or new worksurfaces from other manufacturers

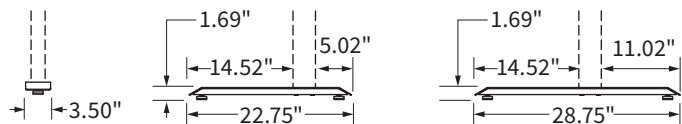


Dimensions



* For Peninsula and P Peninsula worksurfaces, this distance is 14.9"

Flat Foot





Products listed on this page are available through GSA Contract GS-28F-0030S SIN #711-2 (Schedule 71)

SIERRA HX™ ELECTRIC FRAME SET

2-Leg Shapes	Model #		
	Silver	Charcoal	White
	SEHX36-S	SEHX36-C	SEHX36-W
	SEHX42-S	SEHX42-C	SEHX42-W
	SEHX48-S	SEHX48-C	SEHX48-W
	SEHX54-S	SEHX54-C	SEHX54-W
	SEHX60-S	SEHX60-C	SEHX60-W
	SEHX66-S	SEHX66-C	SEHX66-W
	SEHX72-S	SEHX72-C	SEHX72-W

3-Leg Equal Corner Shapes	SEHX54EC-S	SEHX54EC-C	SEHX54EC-W
	SEHX60EC-S	SEHX60EC-C	SEHX60EC-W
	SEHX66EC-S	SEHX66EC-C	SEHX66EC-W
	SEHX72EC-S	SEHX72EC-C	SEHX72EC-W

3-Leg Offset Corner Shapes	SEHX5442OC-S	SEHX5442OC-C	SEHX5442OC-W
	SEHX6042OC-S	SEHX6042OC-C	SEHX6042OC-W
	SEHX6048OC-S	SEHX6048OC-C	SEHX6048OC-W
	SEHX6054OC-S	SEHX6054OC-C	SEHX6054OC-W
	SEHX6642OC-S	SEHX6642OC-C	SEHX6642OC-W
	SEHX6654OC-S	SEHX6654OC-C	SEHX6654OC-W
	SEHX6660OC-S	SEHX6660OC-C	SEHX6660OC-W
	SEHX7248OC-S	SEHX7248OC-C	SEHX7248OC-W
	SEHX7260OC-S	SEHX7260OC-C	SEHX7260OC-W
	SEHX7842OC-S	SEHX7842OC-C	SEHX7842OC-W
	SEHX8448OC-S	SEHX8448OC-C	SEHX8448OC-W

Workcenter Feet

	Worksurface Depth	Model #		
Flat Foot Set	24"	FFK24-S	FFK24-C	FFK24-W
	30"	FFK30-S	FFK30-C	FFK30-W
	Dual Depth	FFK2430-S	FFK2430-C	FFK2430-W
Styled Foot Set	24"	SFK24-S	SFK24-C	SFK24-W
	30"	SFK30-S	SFK30-C	SFK30-W
	Dual Depth	SFK2430-S	SFK2430-C	SFK2430-W

Workcenter Controls

	Model #
Standard Switch	STDSWITCH
Programmable Switch	PROSWITCH

Workcenter Accessories

Bench Mount Kit	Height	Model#
<p>Designed for mounting keyboard arms to Sierra HX Electric Workcenters where linear supports limit the availability of a flat mounting surface. Attaches between the underside of the worksurface and the keyboard arm track. Used for all installations of tracks greater than 17".</p> <ul style="list-style-type: none"> Fits all Workrite keyboard arms Powered coated steel construction 	1.12"-1.5"	BMK-1-B

WORKSURFACES



HOW TO CONFIGURE YOUR WORKSURFACE

Select a worksurface laminate & edgeband

Workrite's standard laminated worksurface program features 19 popular Wilsonart® laminates with coordinating 3 mm edgeband options. For larger, more accurate swatches of available laminates, please refer to the Materials & Finishes tab of the Workrite binder.

Laminates



Edgeband



A guide to the edge treatment model

Edge treatment part numbers consist of :

Worksurface size Edge type
T3423-B3

The example given is for a 34" wide, 23" deep rectangle that fits a 36" x 24" space, with 3 mm block edge

A guide to the laminate model

Laminate part numbers consist of :

Laminate color Edgeband color
0705460-152

The example shown is for a top in Wild Cherry with Rainier Cherry 3 mm edgeband.



3mm Edge Band

Special order worksurfaces

Additional Wilsonart laminates and edge treatments may be available through our Special Order Program. Special order laminates and edge treatments are subject to minimum order quantities and require extended lead times. See the Special Order information in the Materials & Finishes tab of the Workrite binder.